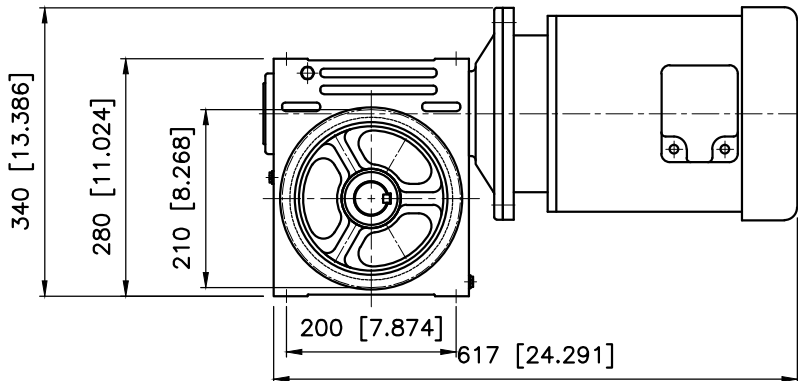
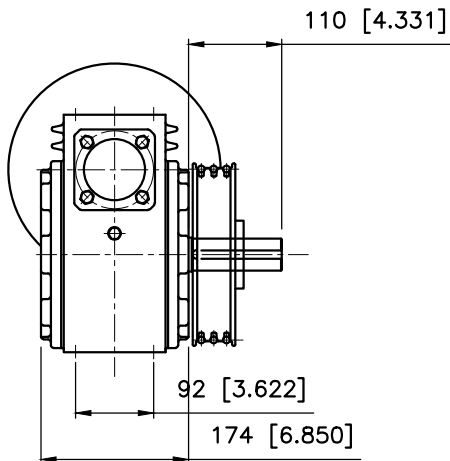
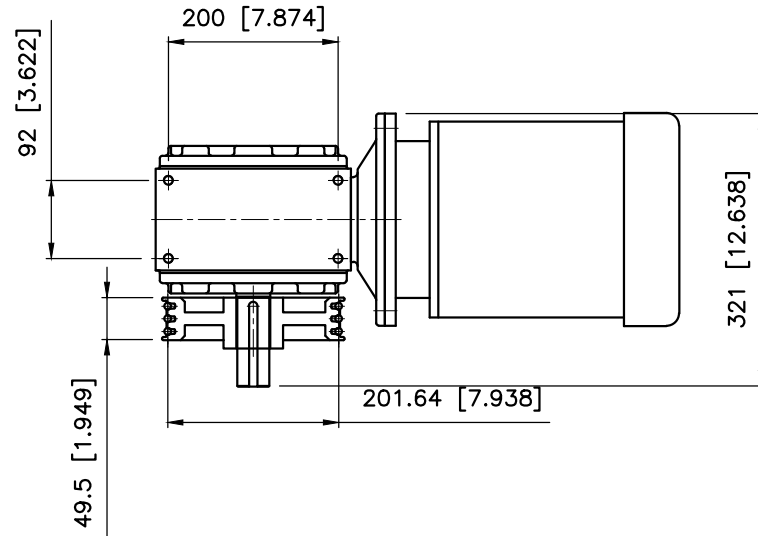


KS 100HM	
RESIDENTIAL HOISTING MACHINE	
Static Load	2200 lbs(1000kg)
Capacity	950lbs, 750lbs
Speed	40f/m(0.2m/s),80f/m(0.4m/s)
Weight	100lbs(about 50kg)
Input Power	220V, 380V 3ph
Reducer Ratio	60/1, 90/1,etc
Sheave	210, 220, 230mm
Wire Rope	3 x 9.5, or 8mm



		Scale	N/S	UPKEESANG
Date	2010-05-09	Design		
DWG #	KS 100 RT			
NAME	RESIDENTIAL HOISTING MACHINE			