

# SHEAVE

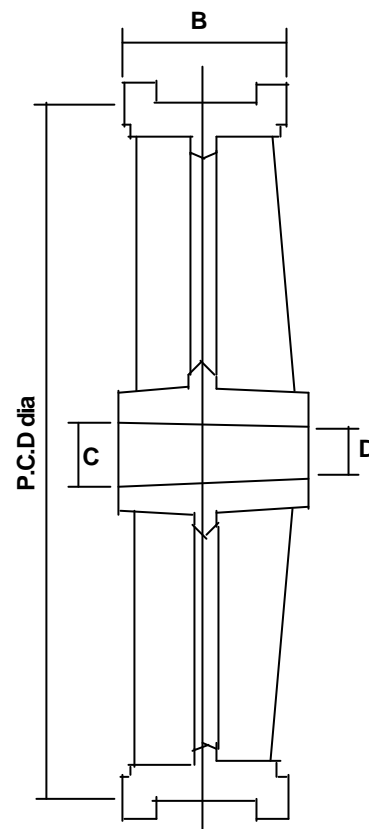
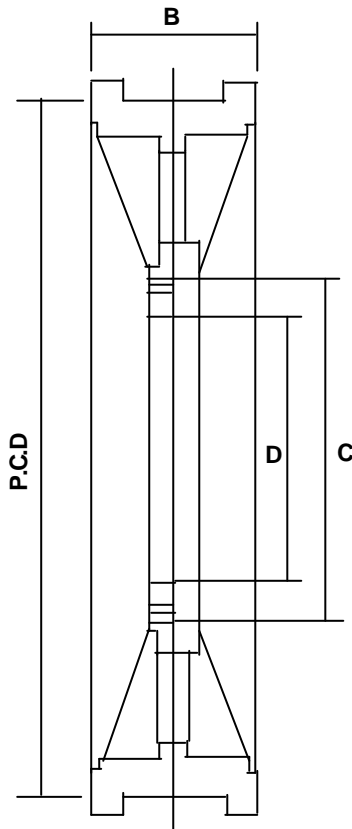
*Mitsubishi Type*



**Main (Traction) Sheave**



**Deflective Sheave**



SPEC.	PART NO.	P.C.D Dia.	B	C	D	GROOVE
MITSUBISHI-Type	YB 244870	560	62	75	66	12*3
MITSUBISHI-Type	YB 209664	620	80	360	285	12*4