

AUTOMATIC CONTROL PARTS

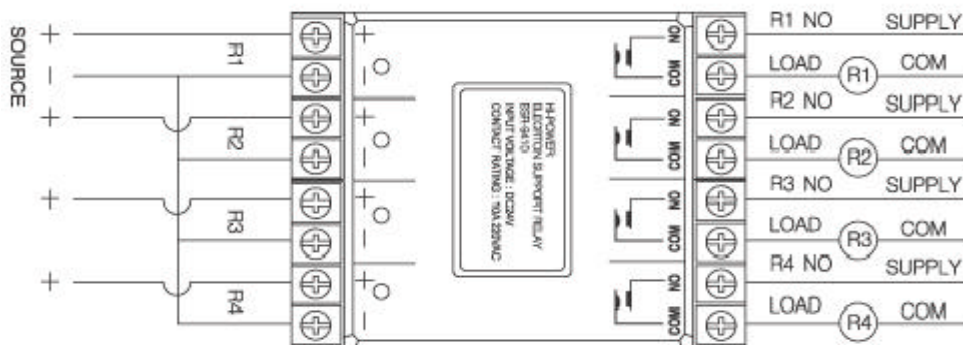
P.L.C Support Relay

The P.L.C Support Relay (PSR-9410) the FA machinery and tools to connect with the P.L.C which it goes round and in order to be suitable in the place which it uses, the portion which the existing products is insufficient to complement, (Contact : 10A, Operational speed : 10ms, Lift, Bulk) it is a product which is the reliability which is developed newly.



PSR-9410

PSR-9410-□ -40(4a)



PSR-9410-□ -42 (4a2b)

